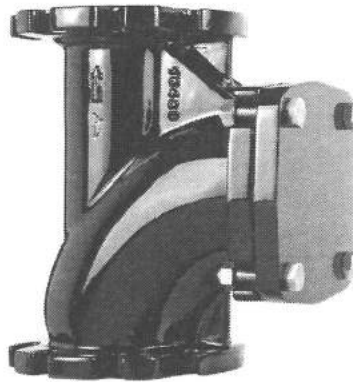
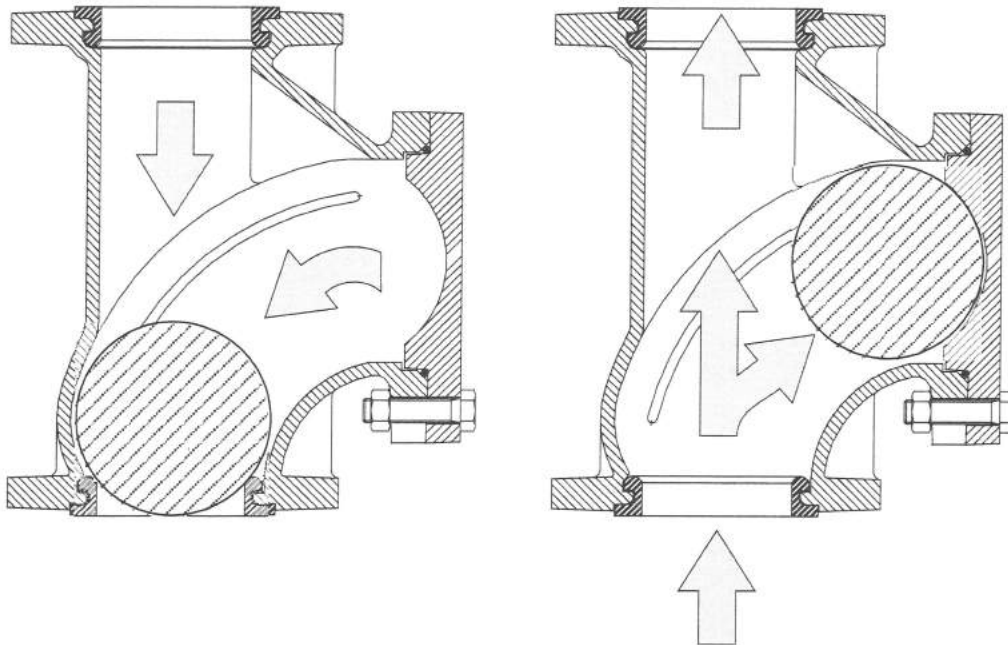


BALL CHECK VALVE - "VAP"

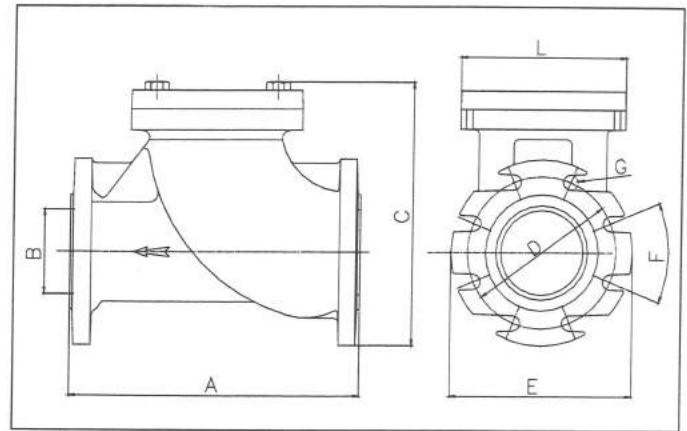
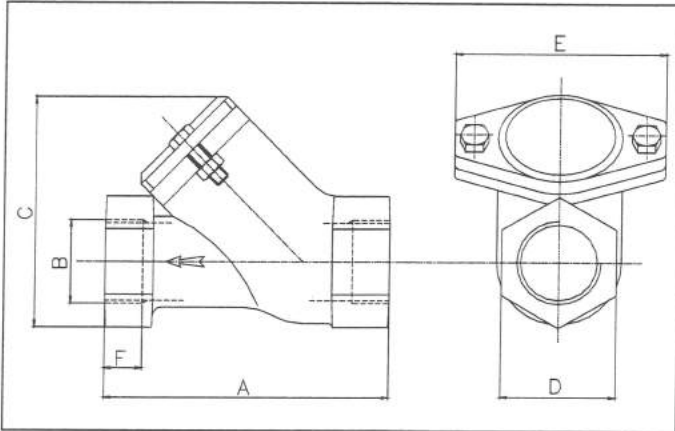


- Rubber covered sinking ball shutter
- Integral free passage
- Removable cover for easy inspection of the system



When the pump stops the sinking ball moves down to shut off the passage into the valve body and prevents the column of water in the section of pipe above the ball returning to the source. When the electric pump is restarted the liquid pushes the ball upwards and due to the shape of the valve body, it is guided to one side, completely freeing the passage. At each restart the section of pipe above the valve is already full, preventing waterhammering.

DIMENSIONS



| | G32 (1"¼) | G40 (1"½) | G50 (2") |
|----|-----------|-----------|----------|
| A | 151,5 | 151,5 | 151,5 |
| B | 1"¼ | 1"½ | 2" |
| C | 122 | 122 | 172 |
| D | 60 | 60 | 72 |
| E | 112 | 112 | 114 |
| F | 20 | 20 | 20 |
| Kg | 4 | 4 | 5 |

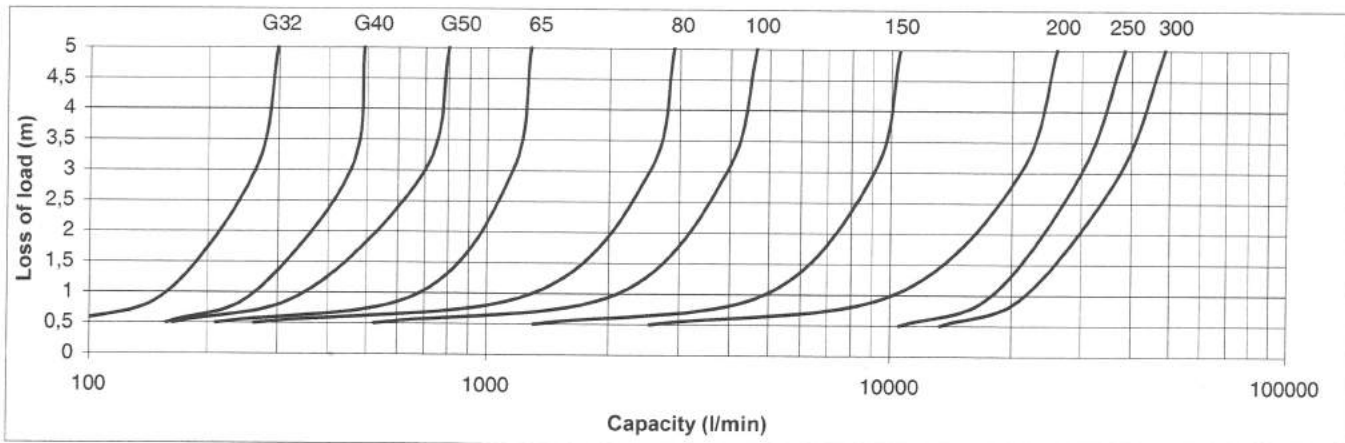
| | DN 65 | DN 80 | DN 100 | DN 150 | DN 200 | DN 250 | DN 300 |
|----|-------|-------|--------|--------|--------|--------|--------|
| A | 221 | 272 | 340 | 398 | 508 | 600 | 700 |
| B | 65 | 80 | 100 | 150 | 200 | 250 | 300 |
| C | 212,5 | 246 | 300 | 402,5 | 515 | 600 | 680 |
| D | 145 | 160 | 180 | 240 | 295 | 350 | 400 |
| E | 185 | 200 | 220 | 285 | 340 | 400 | 550 |
| F | 90° | 45° | 45° | 45° | 45° | 30° | 30° |
| G | 18 | 18 | 18 | 22 | 22 | 22 | 22 |
| L | 149 | 187 | 200 | 291 | 342 | | |
| Kg | 14 | 20 | 29 | 59 | 109 | 135 | 200 |

Except where specified all dimensions are expressed in mm

LOSS OF LOAD

| Loss of load (m) | | Type of valve | | | | | | | | | |
|------------------|--|---------------|-----|-----|-------|-------|--------|--------|--------|--------|--------|
| | | G32 | G40 | G50 | DN 65 | DN 80 | DN 100 | DN 150 | DN 200 | DN 250 | DN 300 |
| 0,5 | | 5 | 157 | 165 | 210 | 262 | 525 | 1312 | 2537 | 10583 | 13333 |
| 1 | | 9 | 262 | 350 | 68 | 1260 | 2100 | 4725 | 9800 | 17833 | 21666 |
| 3 | | 15 | 437 | 700 | 1140 | 2540 | 3940 | 9012 | 21000 | 30000 | 37500 |
| 5 | | 17 | 490 | 800 | 1280 | 2975 | 4725 | 10500 | 26250 | 38334 | 48500 |

The values are expressed in litres per minute.



MATERIALS USED

| | |
|----------------------|------------------------|
| Valve body and cover | Cast iron GJL-250 |
| Seal* | Rubber (NBR) |
| Sinking ball | Rubber (NBR) |
| Fixings | Steel A2 |
| Paint finish | Ecological epoxy vinyl |

*present up to DN 200